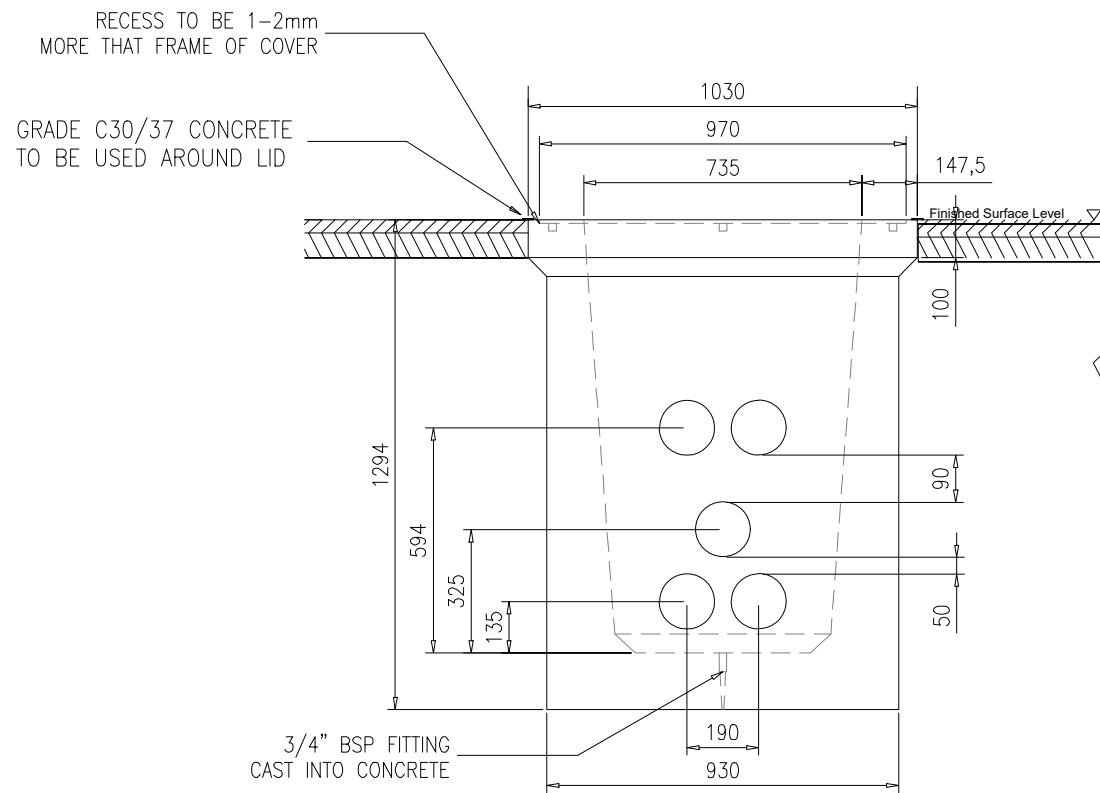
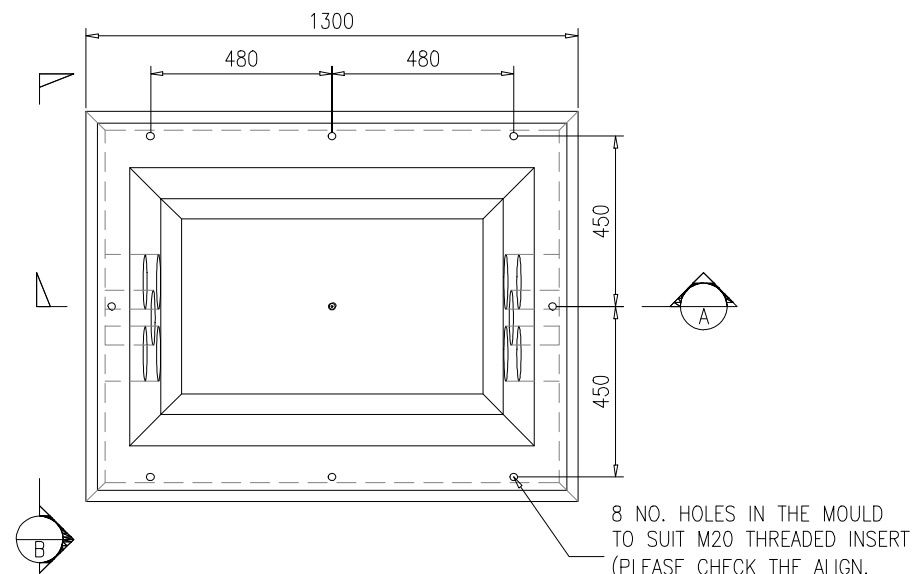


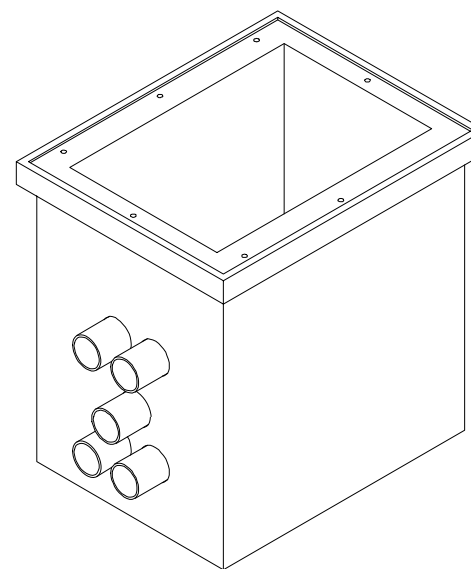
C2 Chamber Detail - Section A
SCALE 1:20



C2 Chamber Detail - Section B
SCALE 1:20



Typical Plan of Chamber
SCALE 1:20



Isometric : C2 Chamber Arrangement
SCALE 1:20

NOTES:

1. This design is subject to EirGrid approval and should be used for planning purposes only.
2. This drawing is to be read in conjunction with relevant drawings, specifications and reports.
3. Dimensions are in millimetres, unless noted otherwise.
4. Drawings are not to be scaled use figured dimensions only.
5. Reinstatement to comply with requirements of the relevant local Authority/landowner.
6. Entrance & Exit ducts to be in line.
7. All material and workmanship to be in accordance with the NRA/TII specification for Roadworks, May 2005 and subsequent revisions.
8. Reinforced concrete to be a minimum grade C32/40, Sulphate resisting cement to be used where aggressive soil conditions apply, refer to table 6.1 of B.S. 8110.
9. Carraigeway covers and frames to be to B.S. 124.
10. All covers to have ESB logo incorporated in them to the approval of EirGrid.
11. Step irons to be hot dipped galvanised to B.S. 729 and positioned as shown on any chamber deeper than 700mm on the end remote from any side entry duct.
12. C2 chambers to be obtained from ESB approved suppliers only.
13. Final position of C2 chambers shall be agreed with EirGrid.
14. In a forest environment backfill with lean mix outside the cover frame.

NOTES:

1. FIGURED DIMENSIONS ONLY TO BE TAKEN FROM THIS DRAWING.
2. ALL DRAWINGS TO BE CHECKED BY THE CONTRACTOR ON SITE.
3. ENGINEER TO BE INFORMED OF ANY DISCREPANCIES BEFORE ANY WORK COMMENCES.
4. THIS DRAWING TO BE READ IN CONJUNCTION WITH ALL OTHER RELEVANT DRAWINGS AND SPECIFICATIONS.

Tailte Éireann - Surveying
Includes National Mapping Reproduced
Under Copyright to Tailte Éireann.
Licence Number CYAL 50512615

| rev. | modifications | by | chk | date |
|------|---------------|----|-----|------|
| | | | | |
| | | | | |
| | | | | |
| | | | | |
| | | | | |

| | |
|---------|--|
| Client | Carraig Power LTD. |
| Project | Carrigeen Renewable Energy Development, Co. Roscommon. |
| Stage | Planning |
| Title | Communications Chamber Details |

| | | | | |
|-----------|----------|---------|----------|----------|
| Scales | | | | |
| 1:20 (A3) | | | | |
| Surveyed | Prepared | Checked | Approved | Date |
| . | A.G | J.D | C.G | Mar 2026 |

JENNINGS O'DONOVAN
an RSK company

© COPYRIGHT OF
JENNINGS O'DONOVAN AND PARTNERS LIMITED
FINISKLIN Sligo Tel (+353) 719 161 416
IRELAND Email. info@jodireland.com
www.jodireland.com

| | | |
|----------|----------------------------|----------|
| Job Ref. | Drawing No. | Revision |
| 6575 | 6575-JOD-CGWF-XX-DR-C-0911 | - |